

THE ANCIENT HOBBYIST

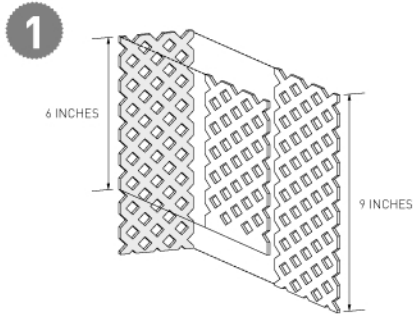
PYRGO'S DICE TOWER

The romans used this device whilst playing a game called Tabula, which is a little similar to backgammon. Dice games were very popular in Ancient Rome, as was Gambling. Gambling on Tabula became so popular in fact, that the emperor Commodus actually turned the imperial palace into a Casino! He then used the house winnings to refund the treasury which he had already bankrupted. Gambling became such a problem that the Republic restricted it to just week long festivals. One Dice tower was found with the Latin inscription "Pictos victos, hostis deleta, ludite securi" which translates as "The Scottish are defeated, the enemy wiped out; play without fear".

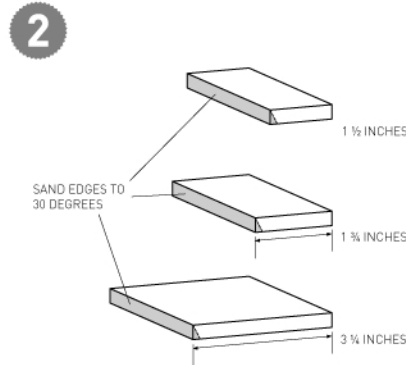
MATERIALS

- PLYWOOD OR MDF $\frac{1}{4}$ - $\frac{1}{2}$ INCHES (DECORATIVE FRETTED MDF AS USED ON RADIATOR COVERS LOOKS BETTER IN THE FINISHED PIECES)
- GLUE
- SCRAPS OF WOOD AT LEAST 3 INCHES X 3 INCHES AND $\frac{1}{4}$ - $\frac{1}{2}$ INCH THICK
- FELT
- PAINT (IF REQUIRED)

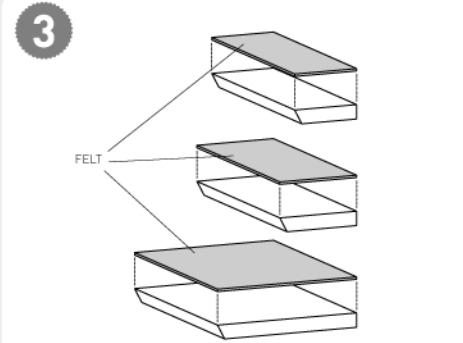
INSTRUCTIONS



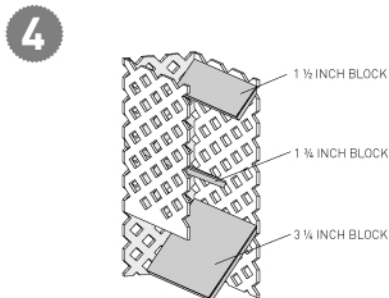
1 CUT 3 PIECES OF PLYWOOD 9 INCHES X 3 INCHES AND ONE 6 INCHES X 3 INCHES SMOOTH THE EDGES GLUE UP TWO LONG SIDES AND 1 SHORT SIZE AS FOLLOWS. USE A TRI-SQUARE OR SCRAP WOOD TO KEEP EVERYTHING SQUARE (MASKING TAPE IS SUCCESSFUL HERE TOO).



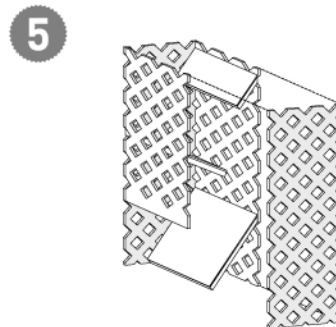
2 CUT 3 BLOCKS OF WOOD TO EXACTLY 3 INCHES LONG PLUS $1\frac{1}{2}$, $1\frac{3}{4}$ AND $3\frac{1}{4}$ RESPECTIVELY. PLANE, SAND OR SAW THE 3 INCH EDGE TO 30 DEGREES.



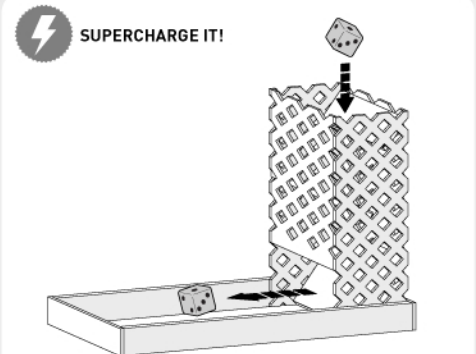
3 COVER TOP EDGE OF THE BLOCKS WITH FELT (SELF-ADHESIVE IS EASIEST, OTHERWISE USE PVA OR CONTACT ADHESIVE).



4 GLUE THESE IN PLACE INSIDE THE FRONT/BACK/SIDE ASSEMBLY - YOU CAN USE SMALL PINS BUT GLUE SHOULD BE SUFFICIENT. USE SMALL SPRING CLAMPS OR MASKING TAPE OR HOLD THE PIECES BY HAND FOR A FEW MINUTES TILL GLUE 'GRABS'.



5 WHEN GLUE IS DRY THE LAST SIDE CAN BE GLUED ON, AGAIN TAPE WILL HELP IT STAY IN PLACE WHILST THE GLUE DRIES THE TOWER CAN BE USED LIKE THIS OR STAINED/PAINTED/DECORATED.



A NICE ADDITION IS A FELT LINED TRAY, WHICH HELPS TO STOP DICE GETTING LOST. ANY WOOD WILL DO, PLY OR MDF FOR BASE, ABOUT $\frac{3}{4}$ HIGH AND $\frac{1}{2}$ THICK FOR SIDES AND LINE WITH FELT.